

Name of the event	IARC FMSCI Indian National Autocross Championship Final 2018
Start Date of the event	01/02/2019
End Date of the event	03/02/2019
Status of the event	National Championship
Category	4W
Name of the Organizer	Indian Automotive Racing Club Ltd.
Address	41 – 42 Liberty Building, Marine Lines, Mumbai 400020
Phone	+91 9820085350
Email	info@iarcindia.com
Website	www.iarcindia.com
In Association with (if any)	
Name of the Organizer	
Address	
Phone	
Email	
Website	

Supplementary Regulations

Approved by



WARNING

MOTORSPORT CAN BE DANGEROUS. DESPITE ORGANIZERS TAKING ALL POSSIBLE PRECAUTIONS UNAVOIDABLE ACCIDENTS MAY HAPPEN. YOU ARE PRESENT HERE AT YOUR OWN RISK.

TABLE OF CONTENTS

1. INTRODUCTION	4
2. ORGANIZATION	4
3. PROGRAMME	5
4. ENTRIES	6
5. INSURANCE	7
6. ADVERTISEMENT AND IDENTIFICATION	8
7. ADMINISTRATIVE CHECKS	8
8. PRE-EVENT SCRUTINEERING, SEALING AND MARKING	9
9. IDENTIFICATION OF OFFICIALS	9
11. PRIZES	9
12. PROTEST & APPEAL	10
13. RUNNING OF THE EVENT	11
14. PENALTIES	13
14. SAFETY REQUIREMENTS	14
NAMES AND PHOTOGRAPHS OF CRO'S	16

1. Introduction

1.1 The IARC Indian National Autocross Championship Final 2018 (A final round of the FMSCI Indian National Autocross Championship) is run in compliance with the 2018 International Sporting Code of the Federation Internationale de l' Automobile (FIA), 2018 FMSCI General Prescriptions for Autocross, the relevant Technical Regulations and these Supplementary Regulations (SRs).

The Federation of Motor Sports Clubs of India (FMSCI) is the National Sporting Authority (ASN) of FIA in India.

Modifications, amendments and / or changes to these SRs will be announced only by numbered and dated bulletins, issued by the organizers, approved by the FMSCI or Stewards.

1.2 Acquaintance with and submission to Rules

Every person or group of persons, organizing a competition or taking part therein

- Shall be deemed to be acquainted with all the relevant rules and regulations of the FMSCI
- All competitors must sign the indemnity and declaration form, which are enclosed with the Entry Form
- These are conditions precedent attached to the submission of entries and taking part in an event and all competitors participating shall be bound by them and also the rules and regulations hereinafter set out or amendments made thereto.
- Shall undertake to submit themselves without reserve to the above and to the decision and consequences resulting there from.

2. Organization

2.1 **FMSCI Permit No./s :**

2.2 **Organizers name, address and contact details**

Indian Automotive Racing Club Ltd.
41 – 42, Liberty Building, New Marine Lines, Mumbai 400020
+91 9820085350
info@iarcindia.com
www.iarcindia.com

2.3 **Managing Committee**

Nazir Hoosein	Rashid Futehally	Harshit Merchant
Ketan Mehta	Farad Bhathena	Farokh Commissariat
Aakif Habib		

2.4 Organizing Committee

Dilip Joshi	Farad Bhathena	Farokh Commissariat
Imraan Surve	Sunil Bhansali	Aakif Habib
Ketan Mehta		

2.5 FMSCI Officials

Chief Steward	V Shyam Kumar
Steward	Zavareh Doctor
Steward	Jagdish Thackersey
Chief Scrutineer	C. V. Srinath

2.6 Senior Officials

Clerk of the Course	Farokh Commissariat
Assistant Clerk of the Course	Farad Bhathena
Secretary of the Meet	Nyomi Bhathena
Chief Safety Officer	Sunil Bhansali
Chief Medical Officer	Dr. Gajanan Gaikwad
Chief Time Keeper	Samir Suneja
Competitors Relations Officer	Dilip Joshi
Media Relations Officer	Imraan Surve
Results Co-ordinator	Samir Suneja

2.7 Location of HQ

From :

Day	DD / MM / YYYY	Time (hrs)	Venue
1	04/01/2019	1000 hrs	4 th floor New Hind House, N M Marg, Ballard Estate, Mumbai 400001

To :

28	31/01/2019	1700 hrs	4 th floor New Hind House, N M Marg, Ballard Estate, Mumbai 400001
----	------------	----------	---

From :

Day	DD / MM / YYYY	Time (hrs)	Venue
29	01/02/2019	0900 hrs	Raymond Drift Track, Pokhran Rd, J K Gram, Thane West, Thane, Maharashtra 400606

To :

31	03/02/2019	1700 hrs	Raymond Drift Track, Pokhran Rd, J K Gram, Thane West, Thane, Maharashtra 400606
----	------------	----------	--

3. Programme

1st February 2019	
Time	Details
1000 hrs	Documentation
1100 hrs	Pre – Event Scrutiny
1500 hrs	Track Walk
1600 hrs	Final Start List
1600 hrs	Drivers Briefing
hrs	
hrs	
hrs	
hrs	
hrs	

2nd February 2019	
Time	Details
0800 hrs	Qualifying Starts
1200 hrs	Qualifying Ends
hrs	
hrs	
hrs	
hrs	
hrs	
hrs	
hrs	
hrs	

3rd February 2019	
Time	Details
1100 hrs	Quarter Final Knockouts
1300 hrs	Semi Final Knockout
1400 hrs	Third Place Knockout
1430 hrs	Finals
1530 hrs	Prize Distribution
hrs	
hrs	
hrs	
hrs	
hrs	

4. Entries

4.1 Opening and Closing Dates

Entries open with the publication of these Supplementary Regulations
Closing date of all entries: 24th January 2019 @ 1700 hrs

4.2 Entry Procedure

Those wishing to take part in the event must send the enclosed entry form duly completed to the permanent secretariat address given in Art.2.2 prior to the closing date as mentioned in Art.4.1

4.3 **Maximum number of Entries**

The maximum number of entries accepted would be as per the results of the qualifying results of the five zones namely, North, North East, East, West and the South Zone. The top 4 qualifiers from each class are eligible for the Final.

4.4 **Groups & Classes & Entry Fees:**

- 1) Class 1 Stock : 2-wheel drive | Upto 1400 cc
- 2) Class 2 Stock : 2-wheel drive | Over 1400 cc Upto 1650 cc
- 3) Class 3 Stock : 2-wheel drive | Over 1650 cc
- 4) Class 4 Open : 2-wheel drive | Upto 1400 cc
- 5) Class 5 Open : 2-wheel drive | Over 1400 cc Upto 1650 cc
- 6) Class 6 Open : 2-wheel drive | Over 1650 cc
- 7) Class 7 : 2-wheel drive | Unrestricted Open
- 8) Ladies Class

4.4.1 Finals: (Maximum) Rs.5000/= per class. The Entry Fees is a onetime collection and is applicable for the entire event with no additional charges if the organiser proposes multiple runs.

Entry fees are inclusive of taxes applicable.

4.5 **Payment**

The entry fees can be either by demand draft in favour of Indian Automotive Racing Club Ltd. payable at Mumbai or by cash or by wire transfer.

Name of Bank	AB Bank Limited
Branch	Liberty Building., 41-42, Sir Vithaldas Thackersey Marg, New Marine Lines, Mumbai 400020
Nature of Account	Current
Account No.	5001001065120
IFSC Code	HDFC0CABBLM

4.6 **Refund**

Entries fees will be refunded in full only

- To candidates whose entry has not been accepted
- In case of event not taking place

The organizers may refund 50% of the entry fee to those competitors who, for reasons of force-majeure (duly accepted by the organizing committee) were unable to start in the event.

5. Insurance

Organizers holding a valid 2019 FMSCI Permit for an event are covered for

Competitors : A maximum of 250 competitors with valid FMSCI Competition License participating in various events across the Country on a given day are covered for Personal Accident Insurance for Rs. 5 lakhs with Rs. 5 Lakhs medical expense extension per person.

Officials : A maximum of 100 officials officiating in various events across the Country on a given day are covered for Personal Accident Insurance for Rs.25 lakhs with Rs.1 lakh medical expense extension per person.

THESE INSURANCES ARE ISSUED BY NEW INDIA INSURANCE COMPANY LTD AND VALID DURING THE RUNNING OF THE EVENT ONLY. ORGANIZERS / COMPETITORS ARE ADVISED TO TAKE ANY ADDITIONAL INSURANCES THEY MAY DEEM FIT. IF THEY HAVE MORE THAN 100 OFFICIALS & ALSO REQUIRE DOOR TO DOOR COVERAGE PLEASE CONTACT: S.MANIKANDAN@STENHOUSE.IN

6. Advertisement and Identification

6.1 It is compulsory to carry organizers advertisement on the competing vehicles.

6.2 Competitors are allowed to affix any kind of advertisements on their vehicle provided that

- Any instructions issued by the organisers are observed.
- It is authorized by the National laws and FMSCI regulations
- Advertising must not be of a political, obscene or insulting nature. It must be in good taste and not conflict with the vehicles official numbers in any way
- It should not be placed as to prevent recognition by Officials or Marshals.
- The space designated in Appendix '4' of the General Prescription is left free of advertising other than that provided by the organisers.
- It does not encroach upon the spaces reserved for rally plates, number plates and windscreen strips,
- It does not interfere with the driver's vision through the windows.

6.3

- The organisers will supply each crew with identification plates comprising: 2 panels carrying the race number termed COMPETITION NUMBERS. They will incorporate the race number, the name of the event and if appropriate the name of the organisers' main sponsor. They will be available as stickers.
- Competitors taking part in the Championship may elect to keep the same competition number throughout the Championship. In this case, a written request must be made to the organiser and a written acceptance taken.
- Throughout the duration of the Event, the plates must be affixed in conformity of the supplementary regulations. In no case should they cover, even partially, the vehicle's licence plates.
- The numbers plates must appear on both sides of the vehicle and be clearly visible during the entire event.
- At any time during the event, the absence or incorrect positioning of a race number plate may result in a penalty upto a maximum of INR 1,000/-.
- The competitor will be recognisable by means of an identification tag. It must carry the competitors photograph, name & blood group. Any breach noted by an official will result in a cash penalty upto a maximum of INR 1,000/-.

7. Administrative checks

7.1 Documents Submission

Entrants should produce the following for inspection at the time of submitting the vehicle for pre-event scrutiny and administrative check on the date / time as mentioned in Art.3.

Competitors are required to bring:

- i) Special Autocross Insurance cover valid for the dates of the event (Recommended)
- ii) Authority letter from owner of the vehicle if the first driver / navigator not the owner of the vehicle used in the Autocross
- iii) FMSCI Competition License for Driver (**Minimum 4W National Rally / Race / Drag**
Apply online from <http://licence.fmsci.co.in/>)
- iv) Pan Card copy of Competitor
- v) 3 Passport size photographs

Competitors are required to carry all the above documents throughout the event. All the documents shall be valid for the date of the event.

8. Pre-event Scrutineering, Sealing and Marking

8.1 Venue & Timings

Place : Raymond Drift Track, Pokhran Rd, J K Gram, Thane West, Thane, Maharashtra 400606

Date : 1st February 2019

Time : 1000 Hrs

9. Identification of Officials

Safety Marshal	Orange
Safety Officer	Orange with white stripe and text
Post Chief	Blue with white stripe and text
Media	Green
Stage Commander	Red with text
Competitor Relations Officer	Red Jacket or Red Tabard
Medical	White
Radio	Yellow with blue mark
Scrutineer	Black

11. Prizes

1) Class 1 Stock :

- a. 1st Prize Trophy plus Rs. 7,000/-
- b. 2nd Prize Trophy plus Rs. 4,000/-
- c. 3rd Prize Trophy plus Rs. 2,500/-
- d. Tuners Trophy for 1st Prize: Trophy + Rs. 5,000/-

- 2) Class 2 Stock : 2-wheel drive | Over 1400 cc Upto 1650 cc
 - a. 1st Prize Trophy plus Rs. 7,000/-
 - b. 2nd Prize Trophy plus Rs. 4,000/-
 - c. 3rd Prize Trophy plus Rs. 2,500/-
 - d. Tuners Trophy for 1st Prize: Trophy + Rs. 5,000/-

- 3) Class 3 Stock : 2-wheel drive | Over 1650 cc
 - a. 1st Prize Trophy plus Rs. 7,000/-
 - b. 2nd Prize Trophy plus Rs. 4,000/-
 - c. 3rd Prize Trophy plus Rs. 2,500/-
 - d. Tuners Trophy for 1st Prize: Trophy + Rs. 5,000/-

- 4) Class 4 Open : 2-wheel drive | Upto 1400 cc
 - a. 1st Prize Trophy plus Rs. 7,000/-
 - b. 2nd Prize Trophy plus Rs. 4,000/-
 - c. 3rd Prize Trophy plus Rs. 2,500/-
 - d. Tuners Trophy for 1st Prize: Trophy + Rs. 5,000/-

- 5) Class 5 Open : 2-wheel drive | Over 1400 cc Upto 1650 cc
 - a. 1st Prize Trophy plus Rs. 7,000/-
 - b. 2nd Prize Trophy plus Rs. 4,000/-
 - c. 3rd Prize Trophy plus Rs. 2,500/-
 - d. Tuners Trophy for 1st Prize: Trophy + Rs. 5,000/-

- 6) Class 6 Open : 2-wheel drive | Over 1650 cc
 - a. 1st Prize Trophy plus Rs. 7,000/-
 - b. 2nd Prize Trophy plus Rs. 4,000/-
 - c. 3rd Prize Trophy plus Rs. 2,500/-
 - d. Tuners Trophy for 1st Prize: Trophy + Rs. 5,000/-

- 7) Class 7 : 2-wheel drive | Unrestricted Open
 - a. 1st Prize Trophy plus Rs. 7,500/-
 - b. 2nd Prize Trophy plus Rs. 5,000/-
 - c. 3rd Prize Trophy plus Rs. 3,000/-
 - d. Tuners Trophy for 1st Prize: Trophy + Rs. 5,500/-

- 8) Ladies Class
 - a. 1st Prize Trophy plus Rs. 7,000/-
 - b. 2nd Prize Trophy plus Rs. 4,000/-
 - c. 3rd Prize Trophy plus Rs. 2,500/-
 - d. Tuners Trophy for 1st Prize: Trophy + Rs. 5,000/-

12. Protest & Appeal

12.1 **LODGING A PROTEST OR APPEAL**

All protests and / or appeals must be lodged in accordance with the stipulations of Articles 13, 14 and 15 of the Code.

12.2 **PROTEST FEES**

12.2.1 For National Championship Final it is ₹21,240/= (Rupees Twenty One Thousand Two Hundred Forty Only) (₹18,000/= +₹3240 GST).

12.2.2 If a protest requires the dismantling and re-assembly of a clearly defined part of the car any additional deposit must be specified in the Supplementary Regulations– or will be specified by the Stewards upon a proposal of the FMSCI Technical Delegate / Chief Scrutineer.

12.2.3 If the protest is overruled or it is withdrawn after being brought, no part of the fee shall be returned. (Article 13.10.1 of FIA International Sporting Code)

12.2.4 If it is proved that the author of the protest has acted in bad faith, the FMSCI may inflict upon them one of the penalties laid down in the Code. (Article 13.10.3 of sporting code)

12.3 **APPEALS**

Intention to Appeal : ₹56,640/= (Rupees Fifty Six Thousand Six Hundred Forty Only)
(₹48,000/= +₹8,640/= GST)

Within 96 hrs further : ₹56,640/= (Rupees Fifty Six Thousand Six Hundred Forty Only)
(₹48,000/= +₹8,640/= GST)

- Competitors may appeal against decisions, in accordance with the stipulations set out in Articles 15.1 of the Code.
- Competitors have the right to appeal against a sentence or other decisions pronounced on them by the Stewards of the meeting. They must, however under pain of forfeiture of their right to appeal, notify the Stewards of the Meeting in writing within one hour of the publication of the decision, of their intention to appeal along with a fee of ₹56,640/= (Rupees Fifty Six Thousand Six Hundred Forty only).
- The right to bring an appeal to the FMSCI expires 96 hours after the date of the decision of the Stewards of the event on condition that the intention of appealing has been notified in writing to the Stewards of the event within one hour of the decision (see previous paragraph). This appeal may be brought by fax or by any other electronic means of communication with confirmation of receipt. Confirmation by a letter of the same date accompanied by the necessary fee is required. The FMSCI will give its decision within a maximum of 30 days.
- All parties concerned shall be given adequate notice of the hearing of any appeal. They shall be entitled to call witnesses, but their failure to attend the hearing shall not interrupt the course of the proceedings.
- The confirmation of an appeal to the FMSCI must be accompanied by an additional fee of ₹56,640/= (Rupees Fifty Six Thousand Six Hundred Forty only)..
- This fee becomes due from the moment the appellant notifies the Steward of the intention of appealing, and remains payable even if the appellant does not follow up the declared intention to appeal.
- If the appeal is rejected or it is withdrawn after being brought, no part of the fee shall be returned.
- If judged partially founded, the fee may be returned in part, and in its entirety if the appeal is upheld.

- If it is proved that the author of the appeal has acted in bad faith, the FMSCI may inflict upon them one of the penalties laid down in the Code.

13. Running of the Final Event/Championship

13.1 The finals of the Championship will run in Mumbai on the 2nd and 3rd of February, 2019.

13.2 The event will be run either as a single track. The surface is **TARMAC**.

13.2.1 The event may have a qualifying, Knock-out which consists of quarter finals, semi-finals and the finals. The format will be decided by the Clerk of the Course and will be informed to the Competitors at the Driver's Briefing

13.3 ELEMENTS

- 1 The course may consist of an indicated track & elements which are composed of cones, tyres & barriers etc. The track may have elements as specified.
- 2 These elements have to be navigated in the prescribed manner.
- 3 Failure to navigate the element in the prescribed manner or missing it altogether would attract penalties as specified.

13.4 STOP BOX (Optional)

- 4 At one or several points, the organizers may define a rectangle within which the competitor is required to bring the competing car to a complete halt such that all 4 wheels are stationary within the prescribed box.
- 5 Failure to stop with all 4 wheels within the prescribed boundary would incur penalties as specified.

13.5 START/FINISH:

- 6 All vehicles will be started from a standing start with the engines running. One car at a time. The start order & time would be at the organizer's discretion.
- 7 The Starting order for the qualifying runs (if applicable) can be class wise or mixed basis. The Starting order for the quarter/semi-final/ final (if applicable) rounds will be published.
- 8 The scheduled time for the races will be announced. It is the competitor's responsibility to be present with his vehicle when his name is called. In case the competitor with his vehicle does not present himself at the start line within 5 minutes when called then a No Show will be recorded and the opposing competitor will be declared the winner.
- 9 The finish line will be clearly indicated.
- 10 A run is counted once the car has crossed the start line on its own engine power.
- 11 Start will be given with a Manual count down or with Starting lights.
- 12 Each car and each run will be individually timed.
- 13 False Start: If an entrant makes a false start, penalties as specified herein will be applicable.
- 14 Only a walk-in inspection of the track after the driver's briefing is allowed. It is strictly prohibited to drive on the track for a recce and can lead to disqualification of the said competitor/team

13.6 STOPPING THE RACE

- 15 A Red Flag signal will be given to stop the race at any time including any safety reasons. No other flag signals are given.
- 16 In case of Accidents and Technical failures, the entrant will be ruled as DNF (Did not finish)

- 17 Reruns will be granted only for timing failure, red flag or other situations at the discretion of the COC in consultation with the Steward/s if required and will not be given because of mechanical or other failure of the competitor's car.
- 18 The track marshal, may at his discretion stop any competitor and mark him as a DNF under the following circumstances
- 19 The competitor is taking an abnormal amount of time.
- 20 The competitor is persistently deviating from the defined course.
- 21 The competitor is driving in a reckless and dangerous manner.
- 22 A mechanical failure which could, in the opinion of the Marshal, constitute a danger.

14. Penalties

REASONS	START REFUSED	DISQUALIFY	PENALTY	DNF
Entry Fees not Paid	Yes			
Documentation Incomplete		Yes		
Not carrying advertisements as per article 12.7	Yes			
Inability to produce Race Card at start	Yes			
Late sign-in on qualifying morning			Cash Fine of Rs: 750/-	
Scrutineering				
No seat belts		Yes		
Seats Not Fixed Properly		Yes		
Head Lights Not working		Yes		
Bad Tyres and Brakes		Yes		
Loose items in car	Yes			
Missing Helmet		Yes		
Helmet not strapped properly	Yes			
Driver side Window not closed		Yes		
Not wearing gloves			Cash fine of Rs: 2,000/-	
Late at Start by 5 minutes		Yes		
Over speeding or doing unsafe practice rounds in and around Auto - cross premises/ roads		Yes		
Unsporting Manner		Yes		
Identification Marks		Yes		
Fraud		Yes		
Travel in opposite direction		Yes		
Car unable to start within 20 secs at start line		Yes		
Over speed after stop finish line		Yes		
False Start (upto 2 secs)				
1 st Offense			5 secs	
2 nd Offense			10 secs	
3 rd Offense		Yes		
False start more than 2 secs		Yes		

Missing/ Displacement of a cone/ slalom marker/tyre marked by a different colour/per marker			5 secs	
Breach of track			5 secs	
Leaving track & gaining unfair advantage		Yes		
Unauthorised driver		Yes		
Hitting time control/timing equipment or marshal stations		Yes	Cost of timing equipment as decided	

15. Safety Requirements

DRIVERS SAFETY:

No driver will be allowed to take part in any official practice, qualifying or race unless they have the following:

- Driver should wear suitable clothes; Shorts are not permitted. A Driving Suit is recommended
- During the event, all drivers participating should wear a Branded BIS (minimum) marked Safety Helmet and shall be properly harnessed in the seat belt. The helmet chin strap should be securely fastened while competing.
- Footwear should be such that shoes covering the entire foot shall be worn.
- All loose items, inside and outside the car, must be removed. Hand held items, such as but not limited to, cameras and cell phones are considered loose items.
- The side windows must remain at least three quarters closed during his run.

VEHICLE COMPLIANCE

General Prescriptions 14 of 29

- A vehicle will not be allowed to start unless it conforms to the safety requirements detailed below
- Minimum 3-point Seat belts as provided by the manufacturer are mandatory.
- Tyres must be in good condition, with no cord or belts showing or cracks in the tread or sidewall.
- Throttle return action shall be safe and positive.
- No excessive fuel, oil, water or brake fluid leaks should be observed when the engine is running.
- Steering "spinner" knobs shall not be permitted and mechanical components like wheel bearings, shocks, steering and suspension shall be in good operating condition.
- Pedal operation must not be impeded. Driver's side floor mat must be removed unless securely mounted. OE fasteners designed to prevent the mat from moving forward satisfy this requirement if they are in good working order.
- Wheels must be safely affixed. They shall not be reversed so that the lughole taper does not mate with the chamfer of the lugs. All studs and lug nuts must be present and functional.
- Vehicles must have a means of access on either side of the Passenger compartment which can be operated from inside or outside. Access must be sufficient to remove an occupant without interference from any door locking devices
- ~~Vehicles participating in Modified or Open classes must be equipped with at least one fire extinguisher of 2 Kgs (Dry Power), securely mounted within easy access of the driver.~~
- ~~Vehicles participating in the Open classes must be equipped with 4 point seat harness.~~

The above are only indicative. Refer the FMSCI Technical Regulations 2018 for Autocross for more detail.

RECOMMENDED EQUIPMENTS

- Roll bars / cage complying with FIA / FMSCI regulations.
- FIA Approved rally seats without recliners
- FIA approved Safety harness
- FIA / Snell / SFI Approved Helmets

EVENT SAFETY

SAFETY Ambulance:

Minimum well equipped 1-trauma care ambulance with doctors and one more ambulance to transport the injured to a nearby hospital.

Barricading:

All spectator areas should be well cordoned off. None other than the competitors, pit /service crews and officials shall be present in the pits and other race areas.

Fire Tender & Fire Extinguishers:

A fully equipped fire tender should be present during official practice and races. Adequate number of fire extinguishers should be placed at parc fermes, pits and Marshall Posts at the track. In case a fire – tender is not available, the Steward's can inspect the available number of extinguisher's and give the go ahead if they feel it is adequate.


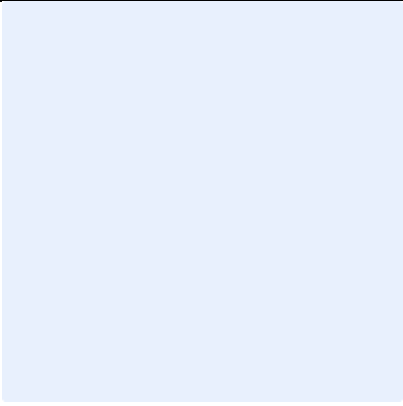
Communication:

Wireless Communication is a must between officials, post marshals and ambulances.

Security:

Enough security persons should be deployed to control the crowd from entering in to the pits and racetrack.

Names and photographs of CRO's

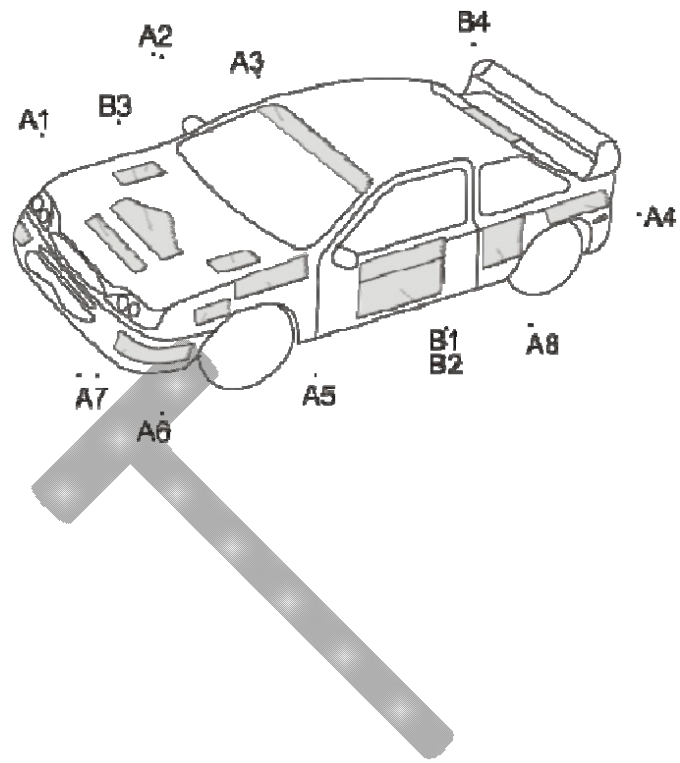
	
Dilip Joshi	
9820123177	
dilipjoshi1245@yahoo.com	

Will be present at:

- 23 At the Secretariat.
- 24 At the start of the scrutineering.
- 25 Near the "PIT AREA".

NOTES / WAIVERS

APPENDIX 1: COMPETITION NUMBERS & ADVERTISING



- A1 : TBA
- A2 : Club/Sponsor
- A3 : Sponsor
- A4 : Sponsor
- A5 : TBA
- A6 : TBA
- A7 : TBA
- B1 ~ B3: Competition Number